



Kingfisher

SPORT

Part of the LUCECO, group of companies

Datasheet

AMNIS Flood



Specification Text

The luminaire shall be manufactured from high pressure die-cast aluminium. It shall have an LED efficacy of up to 150 luminaire lm/W and will be capable of producing up to 188,662 luminaire lumens at 4000K with a CRI >70. It shall have an asymmetric narrow throw optic and is rated at IP66 and IK08.

For DarkSky Approved Specification add:
The luminaire shall produce a CCT of 2700K with a fixed bracket mount.



Specification

Weights:

Fitting with Separate Driver	
Fitting only:	28.0 kg
Driver only :	6.2 kg
Fitting with Integral Driver	
Fitting & integral driver:	34.2 kg

Windage:	0.10m ²
Material:	Die-cast Aluminium
Paint Finish:	Anthracite Grey Marine Grade Finish
Embodied Carbon:	414 - 743 kg CO ₂ e

Product Description

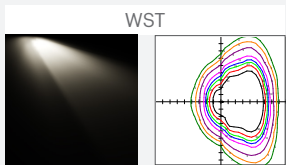
Designed and engineered in the UK this powerful flood offers the perfect balance of performance and efficiency. Using reflector technology and tier one components, AMNIS Series ensures excellent uniformity and a glare free distribution, giving pitch perfect results.



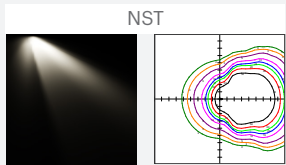
Key Features

- 900.0W – 1300.0W
- 95,927 - 188,662 Luminaire Lumens
- Luminaire efficacy of up to 150 lm/W
- ULOR 0%
- 2700K 4000K & 5000K, CRI >70 & >80
- IP66, IK08
- Lifetime 100,000hrs L85 B10 at 25°C
- Low Windage Profile
- 5° Built in Hood
- Operating Temperature Range -20°C to +40°C
- Low Maintenance Costs
- Flicker Free/ HDTV Ready

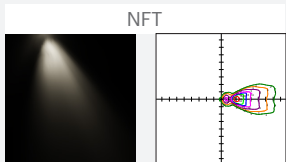
Optics



Wide Short Throw
Perfect for wider area, distributes the light outwards increasing spacings



Narrow Short Throw
Narrow beam throws light further forward



Narrow Far Throw
Throws light forward at a greater distance with a narrow intensity.



Circular Economy Score	
0 to 0.5	Very poor circular economy performance
0.5 to 1.5	Some circular economy functionality
1.5 to 2.5	Definite/ substantial progress to circularity
2.5 to 4.0	Excellent circularity

Other Options Available

Contact for further details

- Tailored Control Packages
- DMX Lighting Shows
- Photocells
- External Spill Shields
- Bespoke Bracketry

Mounting Options

- Stirrup Mounted

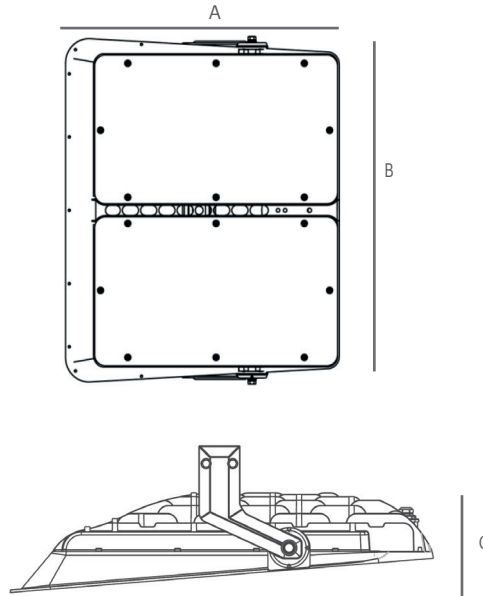


Dimensions

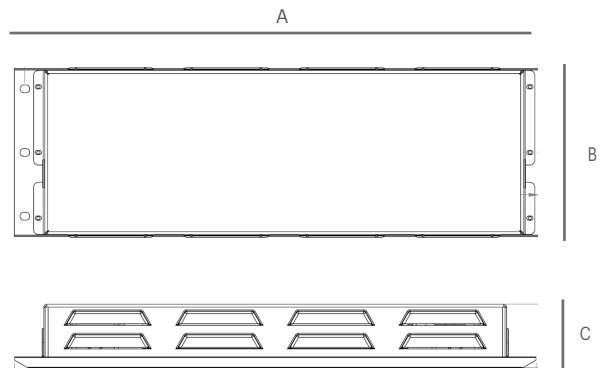
Body Size	A	B	C
Body	841	698	153
Driver	560	175	68

All measurements in mm

Body



Separate Driver



AMNIS Flood

Code	Power W	Luminaire Lumens	Drive Current mA	Inrush Current A pk	Optic	CCT (K)	CRI	IP	IK	Weight (kg)		
AMNIS Flood (Separate Driver)										Total	Fitting	Driver
LAF-WST-740-1300D-03	1300.0	188,662	5250	13.4	Wide Short Throw	4000	>70	IP66	IK08	34.2	28.0	6.2
LAF-NST-740-1300D-03	1300.0	176,603	5250	13.4	Narrow Short Throw	4000	>70	IP66	IK08	34.2	28.0	6.2
LAF-WSTB-740-1300D-03	1300.0	155,542	5250	13.4	Wide Short Throw c/w back shield	4000	>70	IP66	IK08	34.2	28.0	6.2
LAF-NSTB-740-1300D-03	1300.0	138,921	5250	13.4	Narrow Short Throw c/w back shield	4000	>70	IP66	IK08	34.2	28.0	6.2
LAF-NFT-740-1300D-03	1300.0	186,716	5250	13.4	Narrow Far Throw	4000	>70	IP66	IK08	34.2	28.0	6.2
LAF-WST-750-1300D-03	1243.0	183,040	5250	13.4	Wide Short Throw	5000	>70	IP66	IK08	34.2	28.0	6.2
LAF-NST-750-1300D-03	1243.0	173,781	5250	13.4	Narrow Short Throw	5000	>70	IP66	IK08	34.2	28.0	6.2
LAF-NFT-750-1300D-03	1243.0	184,798	5250	13.4	Narrow Far Throw	5000	>70	IP66	IK08	34.2	28.0	6.2
LAF-WST-850-1300D-03	1250.0	170,463	5250	13.4	Wide Short Throw	5000	>80	IP66	IK08	34.2	28.0	6.2
LAF-NST-850-1300D-03	1250.0	161,360	5250	13.4	Narrow Short Throw	5000	>80	IP66	IK08	34.2	28.0	6.2
LAF-NFT-850-1300D-03	1251.0	173,044	5250	13.4	Narrow Far Throw	5000	>80	IP66	IK08	34.2	28.0	6.2

AMNIS Flood (Integral Driver)										Total	Fitting	Driver
LAF-WST-740-900ID-03	900.0	130,585	914	232.0	Wide Short Throw	4000	>70	IP66	IK08	32.4	-	-
LAF-NST-740-900ID-03	900.0	123,604	914	232.0	Narrow Short Throw	4000	>70	IP66	IK08	32.4	-	-
LAF-WSTB-740-900ID-03	900.0	112,525	914	232.0	Wide Short Throw c/w back shield	4000	>70	IP66	IK08	32.4	-	-
LAF-NSTB-740-900ID-03	900.0	95,927	914	232.0	Narrow Short Throw c/w back shield	4000	>70	IP66	IK08	32.4	-	-
LAF-NFT-740-900ID-03	900.0	130,689	914	232.0	Narrow Far Throw	4000	>70	IP66	IK08	32.4	-	-
LAF-WST-750-900ID-03	902.0	134,992	914	232.0	Wide Short Throw	5000	>70	IP66	IK08	32.4	-	-
LAF-NST-750-900ID-03	902.0	125,114	914	232.0	Narrow Short Throw	5000	>70	IP66	IK08	32.4	-	-