



Kingfisher Lighting

Part of the LUCECO group of companies

Datasheet

TITO Series



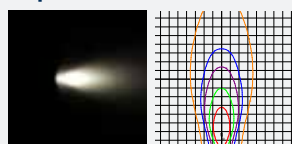
Specification Text

The TITO shall be manufactured from Stainless Steel. It shall have a power output ranging between 2 - 12W, with an efficacy of 113 - 117lm/W. It shall deliver 225 - 1,400 luminaire lumens. The TITO has a range of different beam angles to suit a wide variety of projects. Available in 3000K, 4000K or RGBW, the luminaire shall be IK08 and IP68 rated.

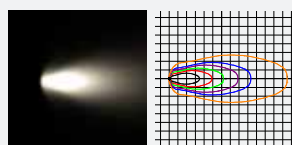
Specification

Weight:	0.5 kg - 1.9 kg
Windage:	0.01 m ²
Material:	Stainless Steel
Paint Finish:	Stainless Steel

Optics



Symmetrical 22°



Symmetrical 25°



Symmetrical 30°

Product Description

TITO is a compact stainless steel accent luminaire range which delivers perfect directional output. Highlight architectural features, buildings and create wall washes with this versatile mini flood light.

Key Features

- 2.0W - 12.0W
- 225 - 1,400 Luminaire Lumens
- Efficacy up to 117 lm/W
- 4000K, CRI>80
- IP68, IK08, IK10
- Lifetime 60,000, L80
- RGB Options
- Adjustable Stirrup Bracket

IP68	IK08	IK10	Colour Temperature	Marine Grade Finish	
5 YEARS WARRANTY			60,000 hrs LIFETIME		

Other Options Available

Contact for further details

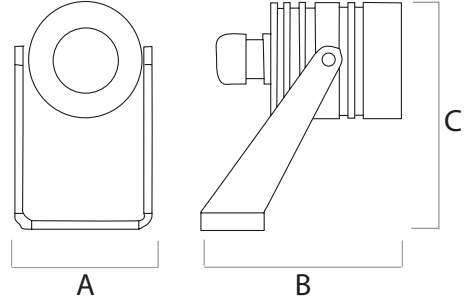
- Colour Temperature Opportunities

Mounting Options

- Stirrup Mount

Body Type	A	B	C
TITO 25	25	57	77
TITO 55	55	93	81
TITO 90	91	108	118

All measurements in mm



Code	Power	Luminaire Lumens	Drive Current	Optic	CCT(K)	IP	IK	Weight kg	Driver Included	Driver Type
TITO25-SY22-840-2-30	2.0	225	700	Symmetrical 22°	4000	IP68	IK10	0.5	No	Fixed
TITO55-SY25-840-4-30	4.0	450	350	Symmetrical 25°	4000	IP68	IK08	0.8	No	Fixed
TITO90-SY30-840-12-30	12.0	1,400	350	Symmetrical 30°	4000	IP68	IK08	1.9	No	Fixed