



Kingfisher Lighting

Part of the LUCECO group of companies

Datasheet



STORY



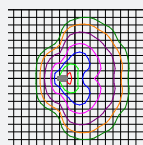
Specification Text

The STORY shall be manufactured from high pressure die-cast aluminium. It shall be powder coated with a graphite grey marine grade finish. It shall have a power output ranging between 13.5 - 79.0W, with an efficacy from of up to 99 lm/W. It shall produce 1,210 - 6,650 luminaire lumens. The STORY shall utilise reflector-based optics to create a comfortable low glare illumination with distributions to suit pathways, roadways, and open areas such as car parks. It shall have a fully programmable DALI driver. The luminaire shall come in 2700K, 3000K and 4000K and be rated IK08 and IP66. It shall have post top and side entry mounting options.

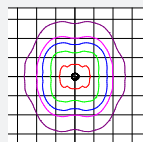
Specification

Weight:	9.0 kg
Material:	Die-cast Aluminium
Paint Finish:	Graphite Grey

Optics



Street Optic (SO5)
Asymmetrical optic suitable for street, urban and open area lighting



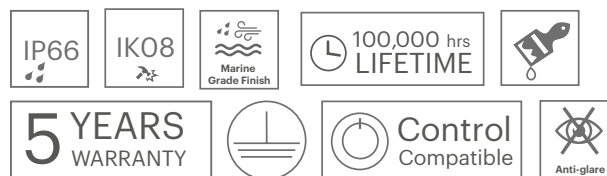
Street Optic (S)
Symmetrical optic for urban lighting and green areas

Product Description

A traditional lantern shape with a modern twist, STORY features advanced technology systems to create the perfect illumination for modern and traditional projects.

Key Features

- 13.5W - 79.0W
- 1,210 – 6,650 Luminaire Lumens
- Efficacy up to 99 lm/W
- 2700K, 3000K, 4000K, CRI>70
- IP66, IK08
- Lifetime 100,000, L90
- Hyper Comfort System
- DALI Dimmable
- Constant Light Output



Other Options Available

Contact for further details

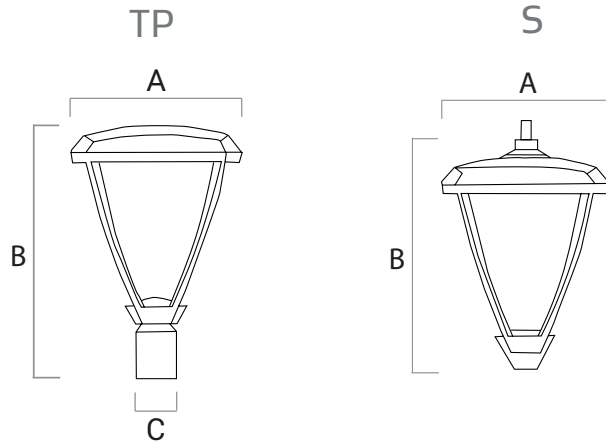
- Colour Temperature Options

Mounting Options

- Post Top 60/76mm
- Suspended on 1/2" Gas Connection

Body Type	A	B	C
STORY TP	415	588	60/76
STORY S	415	575	-

All measurements in mm



Code	Power	Luminaire Lumens	Drive Current	Optic	CCT(K)	IP	IK	Weight kg	Driver Included	Driver Type
STORTP-SO5-4.15-4M1F	17.0	1,690	150	Street Optic (SO5)	4000	IP66	IK08	9.0	Yes	DALI
STORTP-SO5-4.25-4M1F	28.5	2,750	250		4000	IP66	IK08	9.0	Yes	DALI
STORTP-SO5-4.35-4M1F	39.5	3,730	350		4000	IP66	IK08	9.0	Yes	DALI
STORTP-SO5-4.42-4M1F	47.5	4,380	420		4000	IP66	IK08	9.0	Yes	DALI
STORTP-SO5-4.5-4M1F	59.0	5,290	525		4000	IP66	IK08	9.0	Yes	DALI
STORTP-SO5-4.7-4M1F	79.0	6,650	700		4000	IP66	IK08	9.0	Yes	DALI
STORTP-S-4.15-4M1F	17.0	1,690	150	Street Optic (S)	4000	IP66	IK08	9.0	Yes	DALI
STORTP-S-4.25-4M1F	28.5	2,750	250		4000	IP66	IK08	9.0	Yes	DALI
STORTP-S-4.35-4M1F	39.5	3,730	350		4000	IP66	IK08	9.0	Yes	DALI
STORTP-S-4.42-4M1F	47.5	4,380	420		4000	IP66	IK08	9.0	Yes	DALI
STORTP-S-4.5-4M1F	59.0	5,290	525		4000	IP66	IK08	9.0	Yes	DALI
STORTP-S-4.7-4M1F	79.0	6,650	700		4000	IP66	IK08	9.0	Yes	DALI
STORTP-HCS-4.25-2M1F	25.5	2,420	250	Hyper Comfort (HC-S)	4000	IP66	IK08	9.0	Yes	DALI
STORTP-HCS-4.35-2M1F	35.0	3,170	350		4000	IP66	IK08	9.0	Yes	DALI
STORTP-HCST-4.25-1M1F	13.5	1,210	250	Hyper Comfort (HC-ST)	4000	IP66	IK08	9.0	Yes	DALI
STORTP-HCST-4.25-2M1F	25.5	2,420	250		4000	IP66	IK08	9.0	Yes	DALI
STORTP-HCST-4.35-1M1F	18.5	1,580	350		4000	IP66	IK08	9.0	Yes	DALI
STORTP-HCST-4.35-2M1F	35.0	3,170	350		4000	IP66	IK08	9.0	Yes	DALI