



Kingfisher Lighting

Part of the LUCECO group of companies

Datasheet

RAY Series



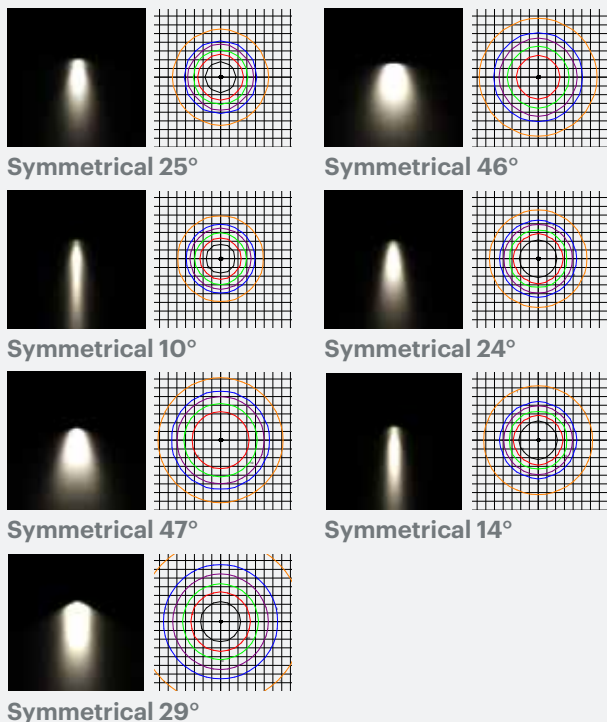
Specification Text

The RAY range shall be manufactured from die-cast aluminium with stainless steel trim. It shall have power outputs ranging from 4 - 20W, with an efficacy of up to 144 lm/W. It shall deliver 375 - 2,250 luminaire lumens. The RAY is available with a range of different beam angles and sizes from 25 - 180mm to suit a wide variety of projects. Available in 3000K, 4000K or RGBW, the luminaire shall be IK08 and IP66 rated.

Specification

Weight: 0.8 kg - 3.8 kg
Material: Extruded Aluminium
Paint Finish: Stainless Steel

Optics



Product Description

The RAY series is a range stainless steel down lighters available in an array of sizes and beam angles. Perfect for canopy lighting and wall washes.

Key Features

- 4.0W - 20.0W
- 375 - 2,250 Luminaire Lumens
- Efficacy up to 144 lm/W
- 3000K, 4000K, CRI>70
- IP67, IP68, IK07, IK08, IK09
- Lifetime 60,000, L80
- Colour Temperature Options
- RGBW Opportunities

IP67	IP68	IK07	IK08	IK09	Colour Temperature	Marine Grade Finish
5 YEARS WARRANTY		60,000 hrs LIFETIME				

Other Options Available

Contact for further details

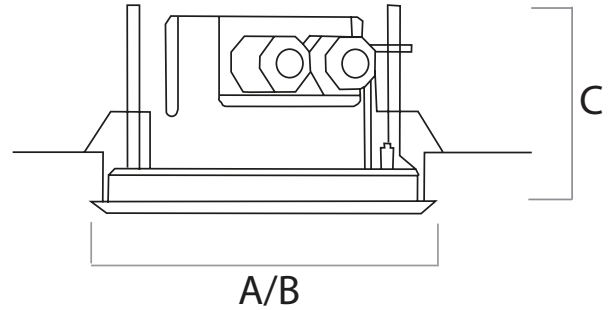
- Colour Temperature Opportunities

Mounting Options

- Recessed Mount

Body Type	A	B	C
RAY 55	64	64	75
RAY 110 Short	120	120	68
RAY 180 Short	190	190	101

All measurements in mm



Code	Power	Luminaire Lumens	Drive Current	Optic	CCT(K)	IP	IK	Weight kg	Driver Included	Driver Type
RAY55-SY25-840-4-30	4.0	450	700	Symmetrical 25°	4000	IP66	IK08	0.75	No	Fixed
RAY55-SY46-840-4-30	4.0	375	350	Symmetrical 46°	4000	IP66	IK09	0.75	No	Fixed
RAY110S-SY10-840-4-30	4.0	575	350	Symmetrical 10°	4000	IP66	IK08	0.85	No	Fixed
RAY110S-SY24-840-4-30	4.0	575	350	Symmetrical 24°	4000	IP66	IK08	0.85	No	Fixed
RAY110S-SY47-840-4-30	4.0	525	350	Symmetrical 47°	4000	IP66	IK08	0.85	No	Fixed
RAY180S-SY14-840-20-30	20.0	2,250	-	Symmetrical 14°	4000	IP66	IK08	3.81	Yes	Fixed
RAY180S-SY29-840-20-30	20.0	1,950	-	Symmetrical 29°	4000	IP66	IK08	3.81	Yes	Fixed